



10.1" WXGA Professional Display

CM-CL101P

Modern, Compact Design

1280 x 800 Resolution

**Front IP65 Rated for Dust and Water
Ingress Protection**

**Integrated Zebra 1D/2D Barcode
Scanner**

400 Nits Brightness

**Firmware Supports Full Size QWERTY
Keyboard in Both Portrait and
Landscape Mode**

**PCAP Multi-Touch Supports up to 10-
Point Touch**

USB 2.0 Type B Touch Interface

Long life, Revision Controlled

Specifications

Display

Model	CM-ME101P
LCD Size/Type	10.1" TFT LCD
Panel Ratio	16:10
Max. Resolution	1280 x 800
Typ. Brightness	400 nits (TFT LCD panel) 320 nits (with touch panel)
Contrast Ratio	800:1
Backlight	WLED
Backlight Life	30,000 hours
Display Colors	16.7 M
Viewing Angle	170/170 (H/V)
Response Time	25 ms (typ.)

Touch

Touch Type	Projected Capacitive (PCAP)
Multi-Touch	Up to 10 points
Input Method	Finger, Thin Gloves
Interface	USB 2.0 Type B for Touch
Multi-Touch OS Support	Win 7, Win 8, Win 10, Linux, Mac OSX
Single-Touch OS Support	Win 7, Win 8, Win 10, Linux, Mac OSX

Barcode Scanner (Optional)

Scanner Module	ZEBRA P/N: SE3307WA-L 100R
Resolution	752 x 480 pixels
Laser Classification	Intended for use in CDRH Class II/IEC 825 Class 1M
Captures	1D and 2D bar codes and images

Power Requirements

Power Input	12V DC, 1.6A
AC Adapter	20W, 100-240AC, 50/60Hz

Interface

HDMI	x1
USB-A (device)	x1
USB-B (host)	X1
DC Power	2.5 mm x1
Speaker	1W x2

Physical Properties

Dimensions (WxDxH)	264.04 x 186.48 x 29.9 (mm)
Net Weight	0.9 Kg (1.98 lbs.) ¹
Gross Weight	1.26 Kg (2.77 lbs.) ¹
Mounting	VESA Mount (75 x 75)
Chassis Color	White (default) / Black (optional, volume dependant)

Environment

Operating Temperature	0 to 50 °C
Storage Temperature	-10 to 60 °C
Operating Humidity (RH)	20 to 85% (non-condensing)
IP Rating	Front IP65 Dust & Water Resistant

Regulatory Certifications

EMC & Safety	Standard FCC Class A, IEC/EN 61010-1, CCC
RoHS	RoHS 3

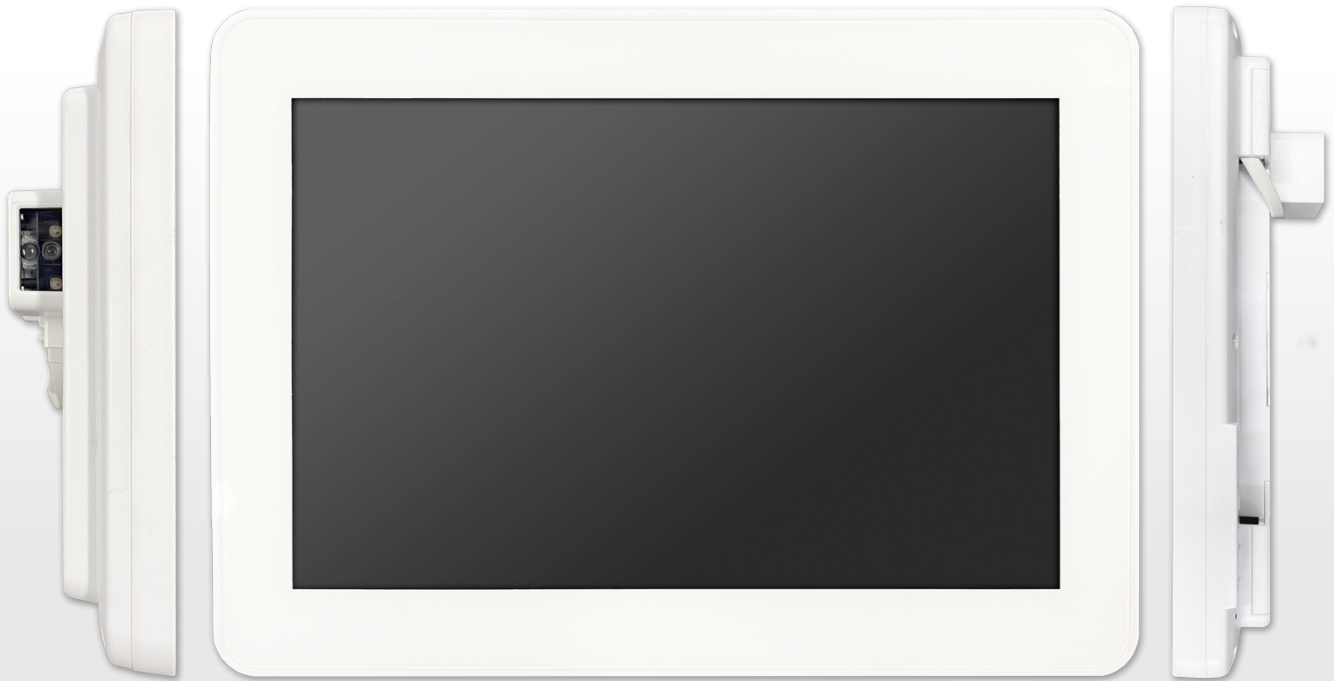
Post-Production Support

Warranty	1-Year Standard Extended warranty options available
-----------------	--

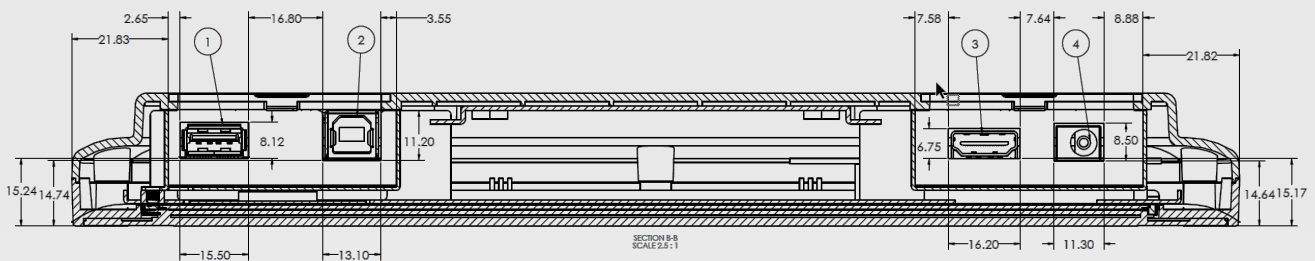
¹Actual weight varies by configurations and optional accessories

* Specification subject to change without notice. Updated March 12, 2020.

Images

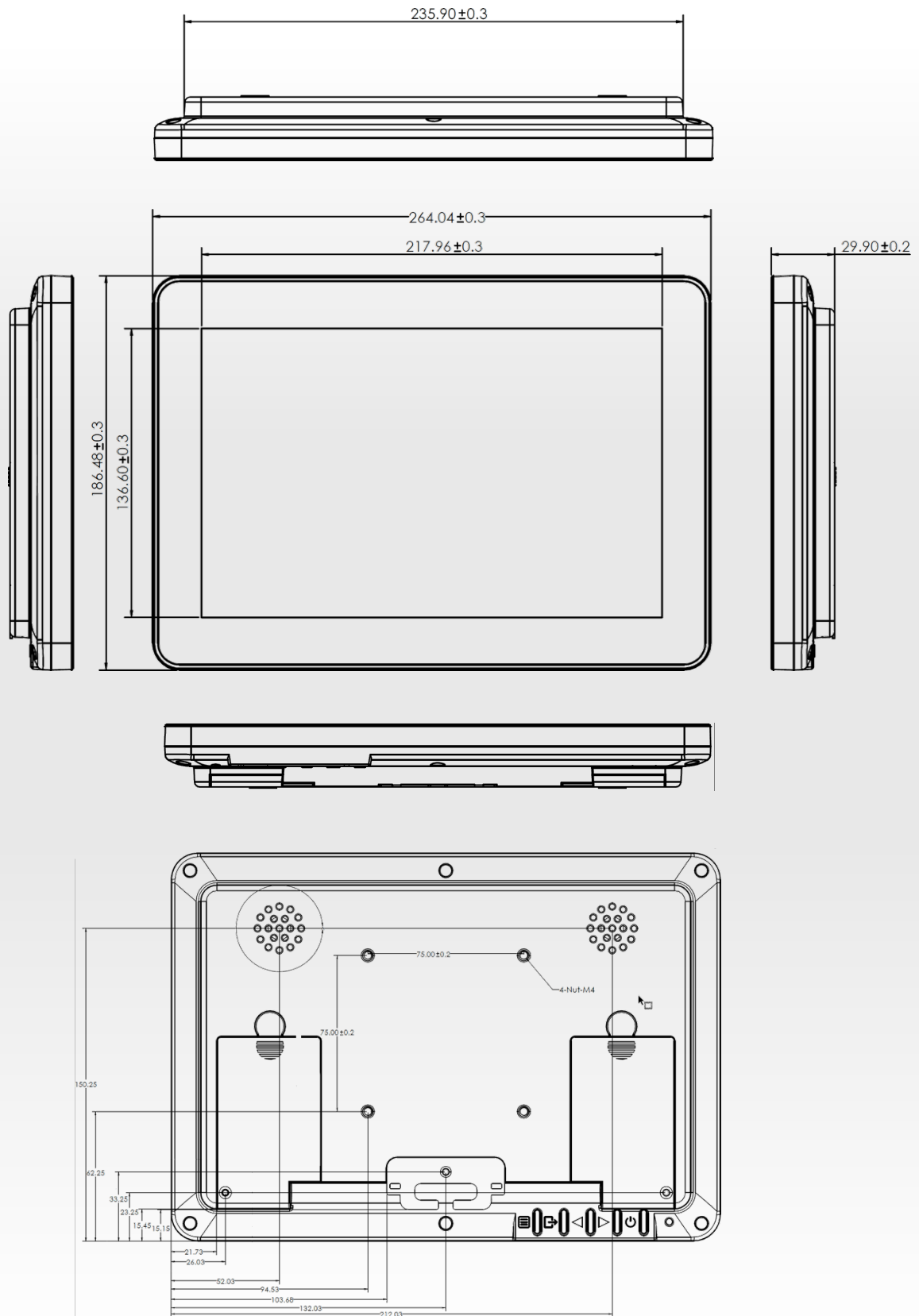


I/O Diagram

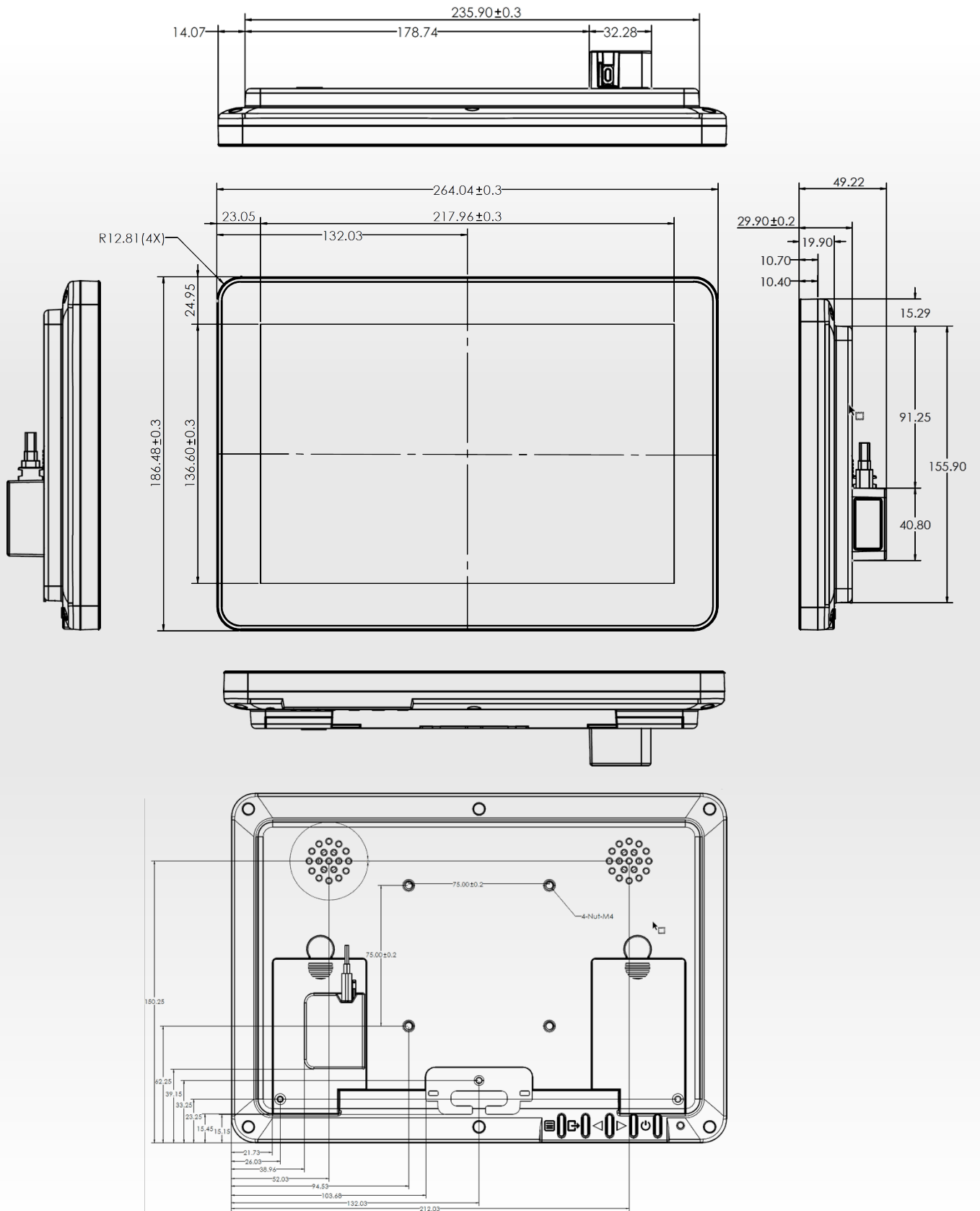


Number	I/O Port	Description
1	USB 1	USB Type A connect to USB device
2	USB 2	USB type B connect to PC (Host)
3	HDMI	Connector HDMI input
4	DC12V	DC 12V input

Mechanical Drawing (CM-CL101P40WX)



Mechanical Drawing (CM-CL101P40WX-B)



Ordering Information

Part Number	Description
CM-CL101PWX	10.1 inch PCAP touch monitor
CM-CL101P40WX-B	10.1 inch PCAP touch monitor with barcode scanner
23358	Power adapter, C14, 12V/1.6A for CM-CL101P

Packing List	
X1	USB cable (A to B) for touch

Buy Online (U.S. Customer Only): www.ContecAmericas.com

Contec Americas Inc.
3991 Sarno Rd.
Melbourne, FL 32934

Toll Free: (888) 285-0172

Local: (321) 728-0172

Email: sales@us.contec.com

Global Website: www.Contec.com