

Key Features:

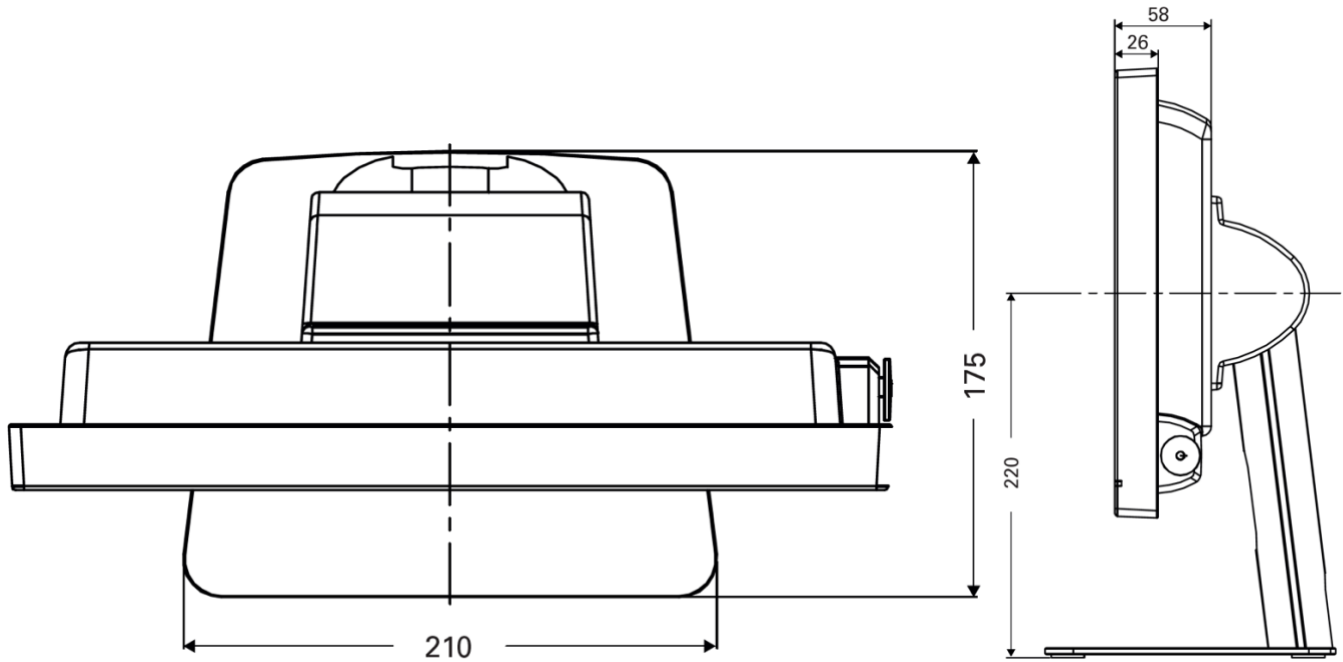
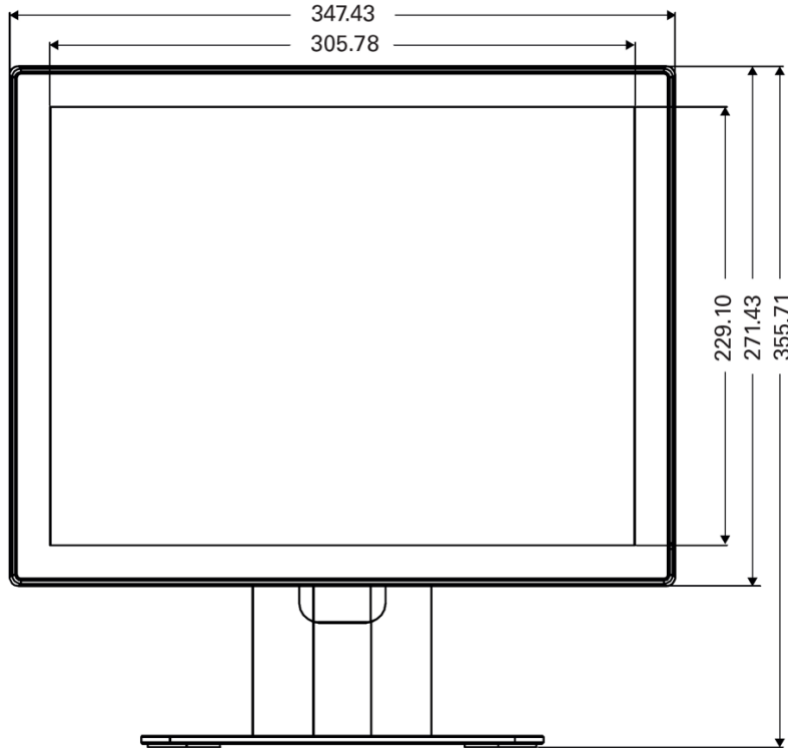
- 15" medical display with 1024 x 768 (4:3) resolution
- 5-Wire resistive touch with USB/RS232 combo touch interface
- 350 nits screen brightness with high contrast display
- World class medical safety regulations and certifications
- Life cycle management and revision control



Specifications	
Model Number	CM-ME150R35XG
Panel Specification	
Resolution	1024 (H) x 768 (V)
Screen Size	15
Display Area (mm)	304.1(H) x 228.1(V)
Pixel Pitch (mm)	0.297 (H) x 0.297 (V)
Viewing Angle (degree)	160 (H)/150 (V)
Response Time (ms)	8 (on/off)
Brightness (cd/m ²)	350 (typ.)
Contrast Ratio	800:1 (typ.)
Color Depth (bits)	6+FRC (16.2M)
I/O Interface	
DVI	1x DVI-D
DP	N/A
VGA	1x D-Sub15
HDMI	N/A
Audio	3.5mm
Touch	
Type	5-Wire Resistive
Touch Point	1
Screen Printing	N/A
Glass Coating	AG
Interface	Combo (USB/RS232)

Specifications	
Model Number	CM-ME150R35XG
Features	
Color Temperature	Neutral/Warm/Cool/User
Gamma Selection	1.8/2.0/2.2/DICOM
Gamma LUT (bits)	10
OSD Languages	English/French/German/Italian/Spanish/Japanese
Speaker	2W Speaker
Scaling Mode	N/A
Power	
Power Supply	AC 100~240V/DC 12V
Power Consumption	25 (Max)
Physical Properties	
Dimensions (WxHxD) mm	347.4 x 355.7 x 175 (with Stand) 347.4 x 271.4 x 58 (w/o Stand) 333.4 x 259.2 x 51 (Open-Frame w/o Touch)
VESA Mounting (mm)	75 x 75 / 100 x 100
Weight (kg)	5.6 (w/ Stand) 3.8 (w/o Stand) 3.1 (Open-Frame)
ID Color	White/Black
IP Rating (Front)	NA
IP Rating (Back Cover)	IPX1
Tilt Range (degree)	0~+30
Pivot Range (degree)	NA
Swivel Range (degree)	NA
Height Adjustment (mm)	NA
Reliability	
Operating Temperature (°C)	10 to 40
Operating Humidity (RH)	30% to 75%
Storage Temperature (°C)	-20 to 60
Storage Humidity (RH)	10% to 90%
Regulatory Certifications	
Certifications and Compliances	UL/cUL (60601 Ed3.1),CB (60601 Ed3.1),CE,FCC-B,VCCI-B

Drawings



Ordering Information

CM-ME150R Series		
Model Number	Ordering PN	Description
CM-ME150R35XG	22123	15" 1024 x 768, 350 nits 5W Resistive Touch Medical Monitor, 10 to 40 C

Contec Americas Inc.

3991 Sarno Rd.
Melbourne, FL 32934
USA

Toll Free: (888) 285-0172

Local: (321) 728-0172

Email: sales@us.contec.com

Visit: www.Contec.com