

**Key Features:**

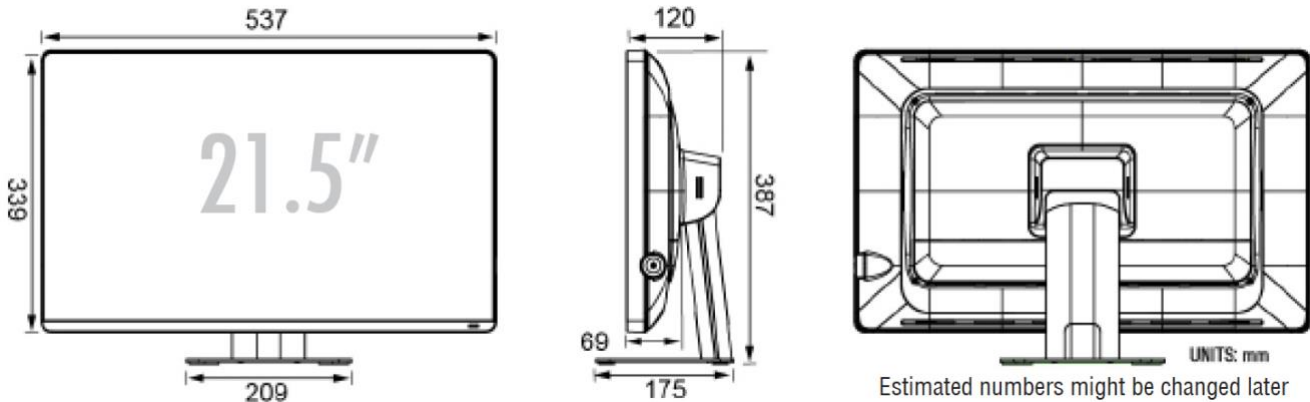
- 21.5" medical display 1920 x 1080 (16:9) resolution
- PCAP touch with USB/RS232 combo interface
- True-Flat Front IPx5 monitor for easy cleaning and sanitization
- DICOM Part 14 compliant with 12 bits LUT
- World class medical safety regulations and certifications
- Life cycle management and revision control



Specifications	
Model Number	CM-ME215P35FH
<b>Panel Specification</b>	
Resolution	1920(H) x 1080(V)
Screen Size	21.5
Display Area (mm)	476.06(H) x 267.79(V)
Pixel Pitch (mm)	0.248(H) x 0.248(V)
Viewing Angle (degree)	178 (H)/178(V)
Response Time (ms)	22 (on/off)
Brightness (cd/m <sup>2</sup> )	350 (typ.)
Contrast Ratio	1000:1 (typ.)
Color Depth (bits)	8
<b>I/O Interface</b>	
DVI	DVI-D x1
DP	DP1.1 x1
VGA	D-Sub15x1
HDMI	N/A
Audio	3.5mm
<b>Touch</b>	
Type	P-CAP
Touch Point	10
Screen Printing	Black
Glass Coating	AG

Specifications	
<b>Model Number</b>	CM-ME215P35FH
Interface	Combo (USB/RS232)
<b>Features</b>	
Color Temperature	Neutral/Warm/Cool/User
Gamma Selection	Neutral/2.2/DICOM
Gamma LUT (bits)	12
OSD Languages	English/French/German/Italian/Spanish/Japanese
Speaker	2W Speaker
Scaling Mode	Full/5:4/4:3/16:9/1:1
<b>Power</b>	
Power Supply	DC 24V
Power Consumption	40 (Max)
<b>Physical Properties</b>	
Dimensions (WxHxD) mm	537*387*175 (with Stand) 537*339*69 (w/o Stand)
VESA Mounting (mm)	100 x 100
Weight (kg)	8.2 (with Stand) 6.5 (w/o Stand)
ID Color	White/Black
IP Rating (Front)	IP65
IP Rating (Back Cover)	IPX1
Tilt Range (degree)	0~+30
Pivot Range (degree)	NA
Swivel Range (degree)	NA
Height Adjustment (mm)	NA
<b>Reliability</b>	
Operating Temperature (°C)	10 to 40
Operating Humidity (RH)	30% to 75%
Storage Temperature (°C)	-20 to 60
Storage Humidity (RH)	10% to 90%
<b>Regulatory Certifications</b>	
Certifications and Compliances	cTUVus(60601 Ed3.1), CB (60601 Ed3.1), CE, FCC-B

Drawings



Ordering Information

CM-ME215P Series		
Model Number	Ordering PN	Description
CM-ME215P35FH	22127	21.5" 1920 x 1080, 350 nits PCAP Touch Medical Monitor, 10 to 40 C

**Contec Americas Inc.**

3991 Sarno Rd.  
Melbourne, FL 32934  
USA

**Toll Free:** (888) 285-0172

**Local:** (321) 728-0172

**Email:** [sales@us.contec.com](mailto:sales@us.contec.com)

**Visit:** [www.Contec.com](http://www.Contec.com)