

Key Features:

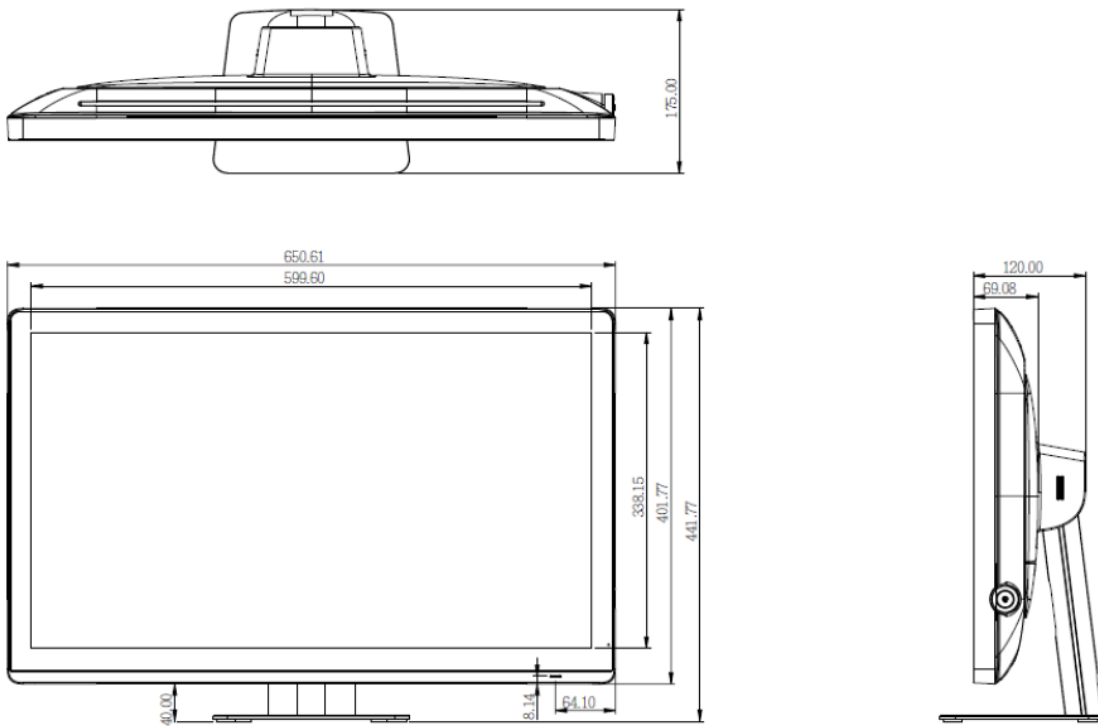
- Elegant and Compact Design
- True-Flat Front IP65 Monitor for Easy Cleaning and Sanitization
- 3000:1 High Contrast Delivering Crisp Image Quality
- DICOM Part 14 Compliant with 12 Bits LUT
- 178o/178o Ultra Wide Viewing Angle
- World Class Medical Safety Regulations and Certification
- Life Cycle Management and Revision Control



Specifications	
Model Number	CM-ME270P30FH
Panel Specification	
Resolution	1920 (H) x 1080 (V)
Screen Size	27
Display Area (mm)	597.6(H) x 336.1(V)
Pixel Pitch (mm)	0.311 (H) x 0.311 (V)
Viewing Angle (degree)	178 (H)/ 178 (V)
Response Time (ms)	12 (on/off)
Brightness (cd/m ²)	300 (Typ.)
Contrast Ratio	3000:1 (Typ.)
Color Depth (bits)	8
I/O Interface	
DVI	DVI-D x1
DP	DP1.1 x1
VGA	D-Sub15x1
HDMI	N/A
Audio	3.5mm
Touch	
Type	P-CAP
Touch Point	10
Screen Printing	Black
Glass Coating	Clear
Interface	Combo (USB/RS232)

Specifications	
Model Number	CM-ME270P30FH
Features	
Color Temperature	Neutral/Warm/Cool/User
Gamma Selection	Neutral/2.2/DICOM
Gamma LUT (bits)	12
OSD Languages	English/French/German/Italian/Spanish/Japanese
Speaker	2W Speaker
Scaling Mode	Full/5:4/4:3/16:9/1:1
Power	
Power Supply	DC 24V
Power Consumption	40 W (Max)
Physical Properties	
Dimensions (WxHxD) mm	651 x441 x175(with Stand) 651 x402 x69(w/o Stand)
VESA Mounting (mm)	100 x 100
Weight (kg)	10.3 (with Stand) 8.4 (w/o Stand)
ID Color	White/Black
IP Rating (Front)	IP65
IP Rating (Back Cover)	IPX1
Tilt Range (degree)	0~+30
Pivot Range (degree)	NA
Swivel Range (degree)	NA
Height Adjustment (mm)	NA
Reliability	
Operating Temperature (°C)	10 to 40
Operating Humidity (RH)	30% to 75%
Storage Temperature (°C)	-20 to 60
Storage Humidity (RH)	10% to 90%
Regulatory Certifications	
Certifications and Compliances	cTUVus(60601 Ed 3.1), CE, FCC-B

Images



Ordering Information

CM-ME270P Series		
Model Number	Ordering PN	Description
CM-ME270P30FH	22217-01	27" 1920 x 1080, 300 nits PCAP Touch Medical Monitor, 10 to 40 C

Contec Americas Inc.

3991 Sarno Rd.
Melbourne, FL 32934 USA

Toll Free: (888) 285-0172

Local: (321) 728-0172

Email: sales@us.contec.com

Visit: www.Contec.com