

Bracket for USB I/O Terminal products
BRK-USB-Y



* Specifications, color and design of the products are subject to change without notice.

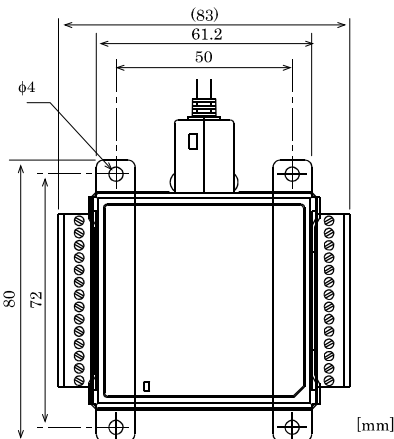
Specification

Item	Specification
Weight	20g

Packing List

- Product [BRK-USB-Y] ...2
- User's Guide ... 1
- M2 x 5 sems screw...4
- M3 x 6 binding head screw...4

External Dimensions



Thank you for purchasing this product.
This is a metal fitting to fix CONTEC USB I/O Terminal Series.

Using this metal fitting, you can fix the Terminal anywhere you like with some screws.

Component Name

1. Put the BRK-USB-Y between the Terminal and Interface Connector Plug that comes with the Terminal, and secure them using the attached M2 x 5 sems screws.
2. Then, fix the Terminal anywhere you like by screwing the attached M3 x 6 binding head screws into the holes at the four corners of BRK-USB-Y.

