

BX-M4600-G

Fanless Embedded PC

Intel® Core™ i3-13100TE,
Core™ i5-13500TE / i7-13700TE



Technology for a better life

FEATURES

- Intel® R680E Chipset to support Intel® 13th Gen. LGA-1700 CPU (TDP 35W)
- Two 2.5" storage (up to 2.5 TB each): RAID 0,1
- Dual 2.5Giga LAN, 4x COM, 4x USB 3.2, 2x USB 2.0, 1x GPIO, 1x DVI-I, 1x Display port and other rich expansion interface
- Security by TPM2.0, Wide range DC input
- Silent fanless design with high airtight chassis A4 Small design and cost effective

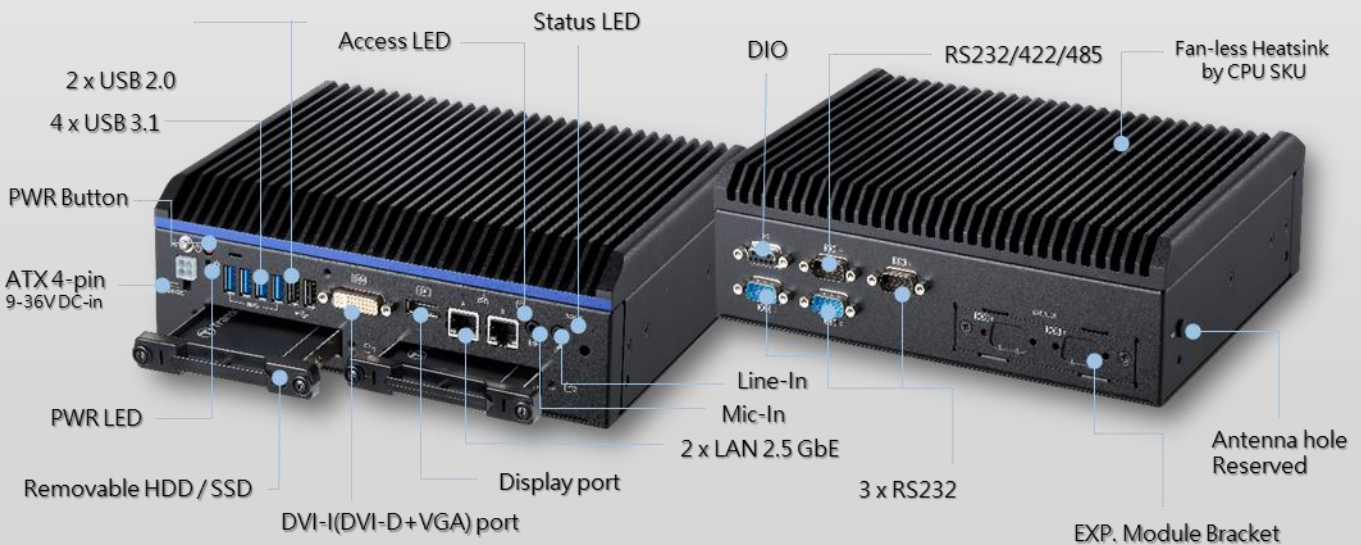
Semiconductor
Equipment
Control



Kiosk · POS
Terminals



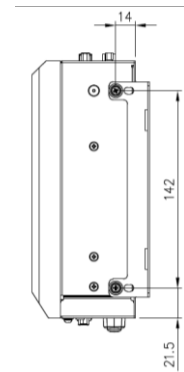
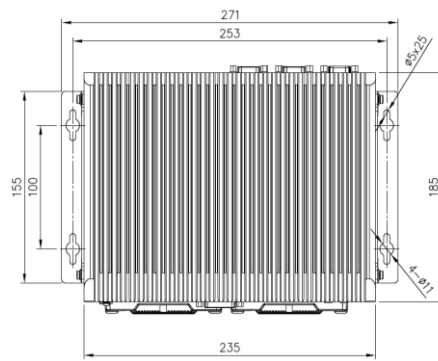
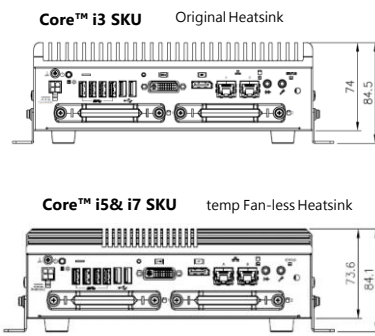
Industrial
Automation
Systems



Model No.	BX-M4600-G320000	BX-M4600-G520000	BX-M4600-G530000	BX-M4600-G730000
CPU	Core i3-13100TE	Core i5-13500TE	Core i5-13500TE	Core i7-13700TE
Memory	8 GB	8 GB	16 GB ECC	16 GB ECC

<https://www.contec.com/>

TAIWAN CONTEC CO., LTD.
9FL, No. 738, Zhongzheng Road,
Zhonghe District, Xinbei 23511
TAIWAN Tel: +886-2-8227-8669

MECHANICAL DIMENSIONS

Specifications

MODEL NAME	BX-M4600-G3200000	BX-M4600-G5200000	BX-M4600-G5300000	BX-M4600-G7300000
PROCESSOR	Intel® Core™ i3-13100TE	Intel® Core™ i5-13500TE	Intel® Core™ i5-13500TE	Intel® Core™ i7-13700TE
CHIPSET	Intel® R680E			
BIOS	AMI UEFI BIOS			
MEMORY	2 x 262-pin DDR5 4800MHz SO-DIMM socket, up to 64GB ECC & Non-ECC			
STORAGE I/F	2 x 2.5" HDD/SSD Removeable Bay by SATA III (6.0Gb/s) connector 1 x M.2 Key M 2242/2260/2280, support Intel RST, PCI-e x4 mode SSD			
WATCHDOG TIMER	Hardware Reset, 5~255 seconds/ 5~255 minutes			
HARDWARE MONITORING	System monitor(Voltage, Fan Speed and Temperature)			
EXPANSION INTERFACE	1 x M.2 Key E 2230, support WiFi module 1 x M.2 Key B 3042/2242/2260/2280, support WWAN+GNSS with SIM card slot & SSD (SATA)			
AUDIO	MIC-In, line-out			
ETHERNET	Dual RJ45 connector (front I/O) 2 x 10/100/1000/2500 Mbps Ethernet port by Intel i226 controller			
SERIAL PORT	1 x RS232/422/485 DB-9P (Selected by BIOS) (Rear I/O) 3 x RS232 DB-9P (Rear I/O)			
USB PORT	4 x USB3.2 Gen2 (front I/O) 2 x USB2.0 (front I/O)			
GPIO	Non-isolated 6-bit GPIO+POWER switch signals by D-SUB 9P (Rear I/O)			
GRAPHIC CONTROLLER	Intel® graphic UHD 730		Intel® graphic UHD 770	
DISPLAY INTERFACE	1 x Display Port1.4 (up to 4096 x 2160 @ 60Hz) 1 x DVI-I port on rear I/O, support DVI-D & VGA signal (up to 1920 x 1200 @ 30Hz)			
POWER MANAGEMENT	Power On by Ring/ Wake on LAN function (setting from BIOS)			
MOUNTING	Wall mount kit			
DIMENSIONS (W x D x H)	235 x 185 x 74 mm (No protrusions)			
POWER SUPPLY	Rated input voltage : 12 - 24VDC Input voltage range: 9 - 36VDC Over Voltage Protection : 39VDC Setting			
ENVIRONMENT	Operation Temperature: Core™ i3 SKU 0°C to 50°C with Air Flow: 0.7 m/s (w/ Standard Temp. SSD) 0°C to 40°C with to Air Flow: 0.7 m/s (w/ Standard Temp. HDD) Operation Temperature: Core™ i5/ i7 SKU 0°C to 55°C with Air Flow: 0.7 m/s (w/ Standard Temp. SSD) 0°C to 40°C with to Air Flow: 0.7 m/s (w/ Standard Temp. HDD) Storage Temperature: -10 to 60°C Humidity: 10 to 90% non-condensing			
OS DRIVER SUPPORT	Windows®10 IoT Enterprise LTSC 2021 64 bit			
CERTIFICATE	CE / FCC / VCCI (Class A) / UKCA / RoHS2.0			

Option Accessory

● Wall mount, Desktop, VESA mount Module

● AC adapter

● 2.5"SATA HDD

● 2.5"SATA SSD