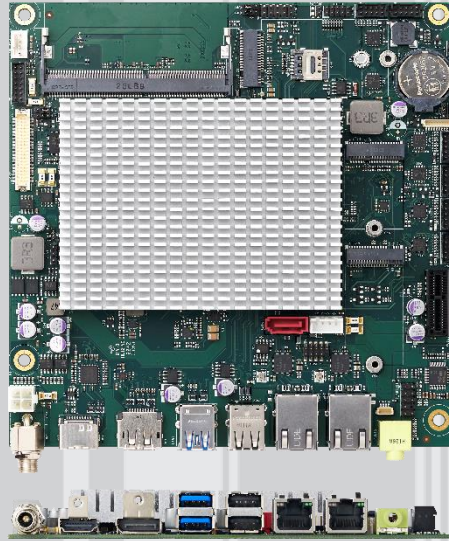
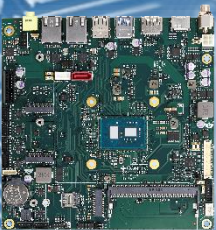


GMB-IEHL210

Intel® Elkhart Lake Platform Celeron® Quad Processor
Mini-ITX form factor Slim type



 CONTEC



Kiosk · POS
Terminals



Industrial
Automation
Systems



Medical ·
Healthcare



Features

- Intel® Celeron® J6413 Quad Processor (Elkhart Lake Platform)
- 1 x DDR4-3200 SO-DIMM Socket, up to 32GB
- 1 x M.2 Key E + 1 x M.2 Key M + 1 x M.2 Key B + One PCI Express x1 Available
- Triple Display :DP 1.2 + HDMI 1.4b + LVDS Supported
- DC-IN 12Vdc by lockable DC-Jack
- Support on board TPM2.0

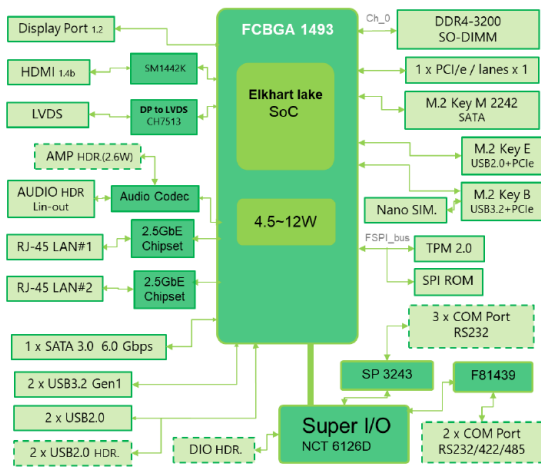
Packing List

- 1x Motherboard with heat sink
- 1x I/O Shield

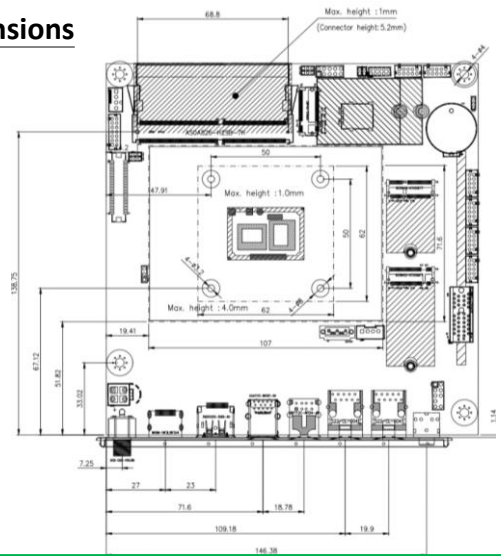


The slim design helps to conserve space, reduce weight, making it a popular choice for compact computing devices and fan less design provides quiet operation, improved reliability, making it well suited for use in harsh industrial and commercial environments, such as Industrial automation systems, Kiosk and Point-of-sale (POS) terminals and Medical equipment.

Block Diagram



Dimensions



Specifications

MODEL NAME	GMB-IEHL210
PROCESSOR	Intel® Celeron® Processor J6413
CHIPSET	SoC (System on chipset)
BIOS	AMI UEFI BIOS
MEMORY	1 x SO-DIMM, single-channel DDR4 3200 up to 32GB
STORAGE I/F	1x SATA 3.0 GenIII 6.0 Gbps 1x M.2 key M Type 2242 (SATA Signal)
DISPLAY INTERFACE	Intel® UHD Graphics for 10th Gen Intel® Processors 1x HDMI (up to 4096 x 2160 @ 30/24Hz) 1x Display Port 1.2 (up to 4096 x 2160 @ 60Hz) 1x LVDS Dual Channel 8 bit up to FHD
EXPANSION INTERFACE	1x M.2 Key B Type 3042/3052 with SIM (USB3.2 Gen1, PCIe x1 Signal) 1x M.2 Key E Type 2230 (USB2.0, PCIe x1 Signal) 1x PCI Express Gen3 Slot
WATCHDOG TIMER	Software programmable, range from 1 sec to 255 sec
HARDWARE MONITORING	System monitor(Voltage,Fan Speed and Temperature)
AUDIO	Line-out Ø3.5 Audio Jack(Rear I/O), Audio amplifiers 2.65W-4ohm
ETHERNET	Dual RJ45 connector on rear I/O 2x 10/100/1000/2500 Mbps Ethernet port Controller: 2 x Intel i225LM
SERIAL PORT	2 x RS-232C/422/485 (Pin header) 4 x RS-232 ports (Pin header)
USB PORT	2x USB 3.2 Gen1, Type-A(Rear I/O) 2x USB 2.0, Type-A(Rear I/O) 2x USB 2.0, by 2.0mm pin header
GPIO	8-bit general purpose input output I/O
SECURITY	TPM 2.0 Nuvoton / NPCT764AABYX
POWER MANAGEMENT	Power On by Ring/ Wake on LAN function (Setting by BIOS)
DIMENSIONS (L X W)	170 x 170 mm(6.7 × 6.7 in)
POWER SUPPLY	12VDC ±10% ; lockable DC-Jack ; ATX /AT Mode by BIOS setting
ENVIRONMENT	Operation Temperature: 0 to 60°C (32 ~ 140 °F) / (with 0.7m/s airflow) Storage Temperature: -40 to 80°C (-40 ~ 176 °F) Humidity: 10 to 90% non-condensing
OS DRIVER SUPPORT	Windows®10 IoT Enterprise LTSC 2021 64 bit
CERTIFICATE	CE / FCC / UKCA / VCCI (class B) , RoHS2.0

Option Accessory

- COM Port Cable
- GPIO Cable
- AC-DC Adapter 60W
- Audio cable
- SATA+SATA Power Cable