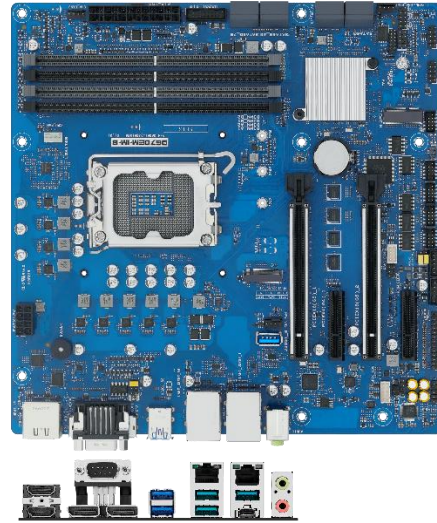


Key Features:

- LGA 1700 socket for Intel 12 / 13 / 14th Gen Core Processor (up to 125W)
- Intel Q670E Chipset with support for vPro Technology
- 4x DDR5-4400 U-DIMM sockets (up to 128GB)
- 2x PCIe 5.0 x16 sockets (support for dual-wide graphic card), 2x PCIe 4.0 x4 sockets
- 2x DisplayPort, 2x HDMI
- 8x SATA 3.0 (supports RAID 0,1,5, and 10)
- 2x RJ45 GbE LAN
- 6x USB 3.2, 1 x serial port
- ATX power input for reliable power supply
- 7-year long-life supply

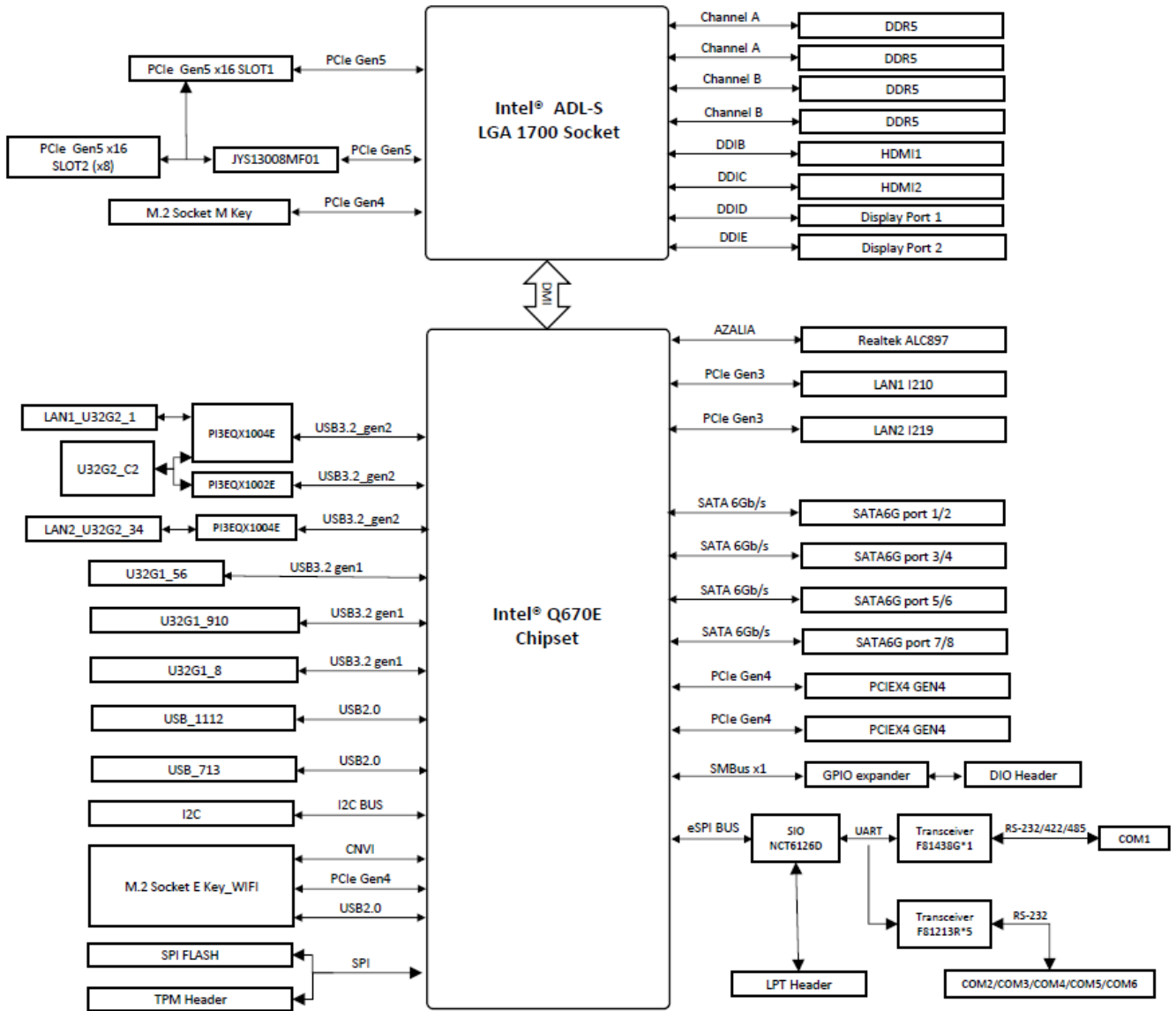


Specifications		
Processor System	CPU	LGA1700 for Intel® 12 / 13 / 14th Gen. Core i3/ i5/ i7/ i9/ Pentium® /Celeron® Processors Max. 125W TDP
	Chipset	Intel® Q670E Chipset
Memory	Technology	DDR5 4400MT/s (2DPC -1DIMM 1R&2R)4000MT/s (2DPC -2DIMM 1R)3600MT/s (2DPC -2DIMM 2R)
	Max.	128GB
	Socket	4 x U-DIMM
Display	Display Port	2, Supports DP++ 1.4, up to 3840 x2160 @ 60Hz
	HDMI	2, Supports 2.0, up to 3840 x2160 @ 60Hz
Expansion Slot	PCIe	1 x PCIe 5.0 x16 Slot(1 x16 mode/ 2 x8 mode) 1 x PCIe 4.0 x4 Slot (x4 mode) 1 x PCIe 5.0 x16 Slot(x8 mode) 1 x PCIe 4.0 x4 Slot (x4 mode)
	M.2	1 x M.2 E key, Type 2230 for WIFI/BT device (PCIe x1 & USB2.0&CNVI) 1 x M.2 M key, Type 2242/2260/2280 (PCIex4) supports NVMe
Ethernet	Speed	10/100/1000 Mbps
	Controller	1 x Intel® i210 1 x Intel® i219
	Connector	2x RJ-45
Audio	Codec	Realtek ALC897
Storage	SATA port	8 x SATA Gen 3.0, Up to 6Gb/s, Support for RAID 0,1,5,10
Rear I/O	Display Port	2x DP++ 1.4, up to 3840x2160 @ 60Hz
	HDMI	2x HDMI 2.0, up to 3840 x2160 @ 60Hz
	USB3.2 Gen1	2x Type A
	USB3.2 Gen2	3 x Type A, 1 x Type C
	Ethernet	2x RJ45
	Serial Port	1x RS232/422/485

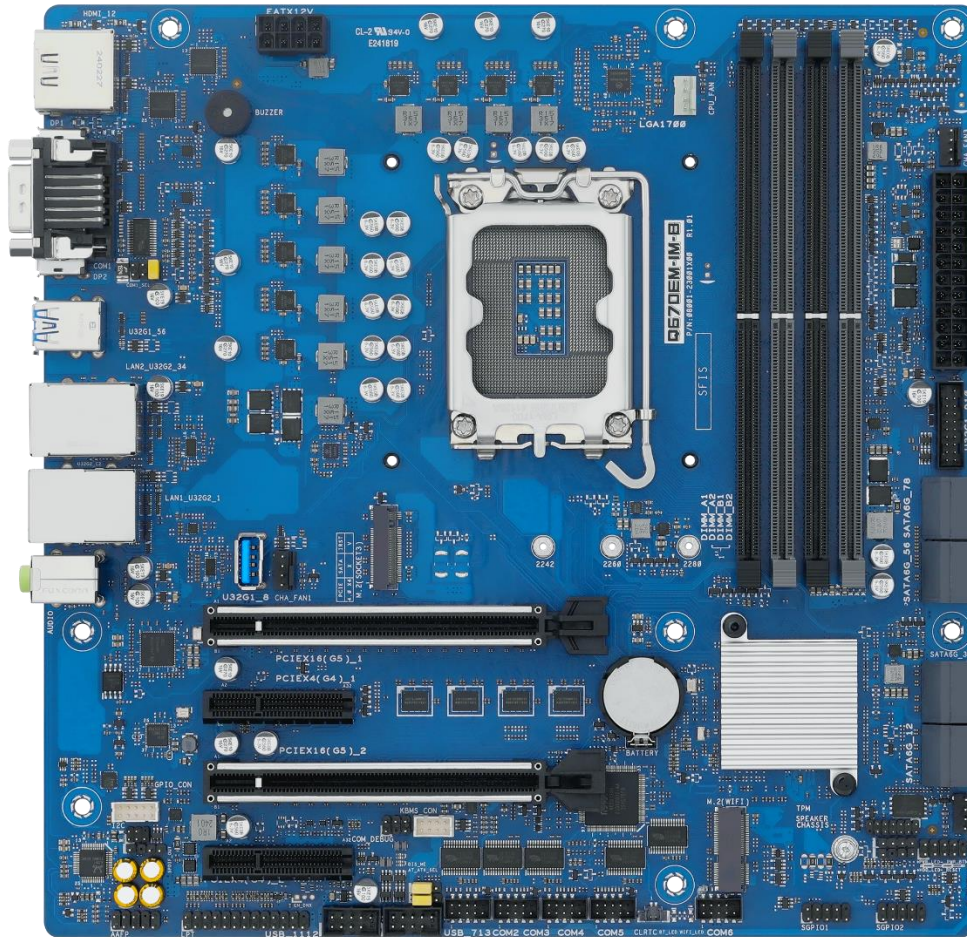
	Audio	1x Line-Out, Mic in
Internal Connectors	COM Header	5x COM Header (RS232)
	SGPIO Header	2x Header
	USB3.2 Gen1	1x Header Support Additional 2 x USB3.2 Gen1 Ports 1x vertical connector
	USB2.0	2x Header Support Additional 4 x USB2.0 Ports
	CPU Fan/ Chassis Fan	1x Header (PWM Mode) / 3 x Header (PWM Mode)
	Front Panel Audio (AAFP)	1x Header

Specifications		
Internal Connector	System Panel	1x Header
	Chassis Intrusion	1x Header
	Speaker connector	1x Header
	I2C Header	1x Header
	Clear CMOS	1x Header
	COM Debug	1x Header
	LPT port header	1x Header
	Buzzer	1
	PS/2	1x Header
	SPDIF	1x Header
	GPIO	1x Header (8 Bit)
	DIS ME jumper	1x Header
	AT/ATX Select Header	1x Header
	Power connector	1x 24-pin ATX Power connector, 1 x 8-pin ATX 12V Power connector
	Security	TPM
Watchdog Timer	H/W	YES
Power Type	Power Type	ATX
OS & Software Support	Microsoft Windows	Windows® 10 (64bit) / Windows® IoT enterprise
	Linux	Ubuntu, RedHat Enterprise, Fedora Workstation, OpenSUSE
Environment	Operating Temperature	0 to 60°C
	Non-Operating Temperature	-40 to 85°C
	Relative Humidity	Operational humidity: 40°C@10% to 95%
Mechanical	Dimensions	Micro ATX, 244 x 244 mm
Certification	EMC (CLASS B)	FCC

Block Diagram



Images



Order Information		
Model Name	Part Number	Description
GMB-MQ67010	26316	Contec, Micro-ATX board, LGA1700 for Intel 12 / 13 / 14th Gen CPU, Q670E chipset, standard BIOS

Packing List	
Description	Quantity
IO Shield	1
SATA III CABLE	1
M.2 SCREWPACK	2

Contec Americas Inc.
3991 Sarno Rd.

Toll Free: (888) 285-0172
Local: (321) 728-0172

Melbourne, FL 32934
USA

Email: sales@us.contec.com
Visit: www.Contec.com