

# GMB-IRPLx00

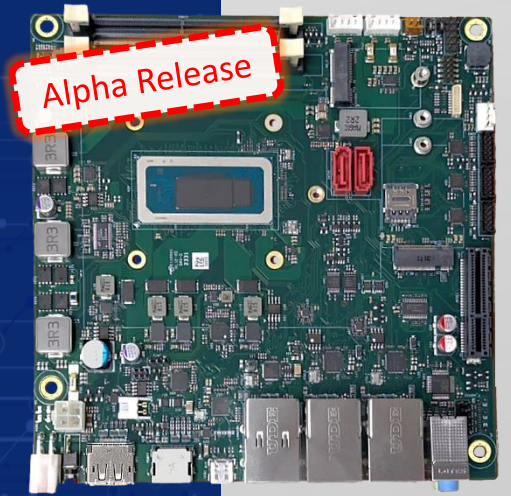
## Industrial Motherboard

### Mini-ITX Form Factor

Intel® Raptor Lake-P Platform

13<sup>th</sup> Gen Intel® Core™ i3/ i5 /i7 Processor

 **CONTEC** Technology for a better life



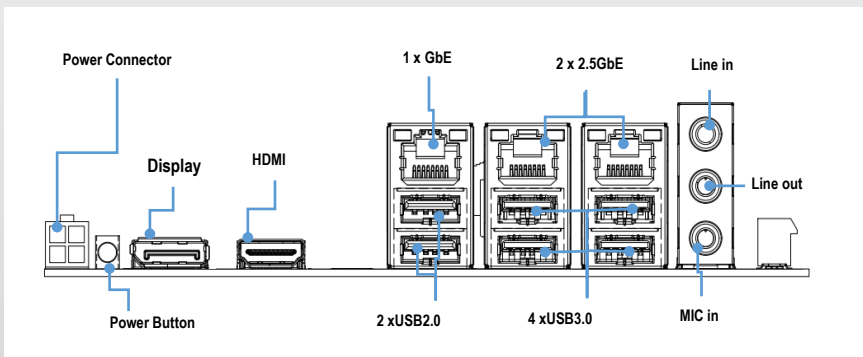
## Features

- Intel® 13<sup>th</sup> Generation Core™ processor 28W (TDP)
- 2x DDR5-4800 SO-DIMM Socket, up to 32GB
- 3 x RJ-45 Ethernet port by intel i226IT & i219LM
- 1 x M.2 Key E + 1 x M.2 Key B + 1 x PCI Express Gen4 slot
- Support 1 x HDMI + 1 x DisplayPort + 1 x eDP + 4 x USB3.2 + 4 x USB2.0
- Wide Voltage DC-in 9 to 36V.

<https://www.contec.com/>

TAIWAN CONTEC CO., LTD.  
9FL, No. 738, Zhongzheng Road,  
Zhonghe District, Xinbei 23511  
TAIWAN Tel: +886-2-8227-8669

## Rear I/O



## Application

Renewable Energy industry



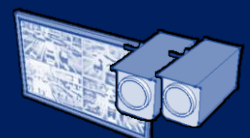
Point Of Sale · Social Infrastructure



Medical · Healthcare



Production Monitoring



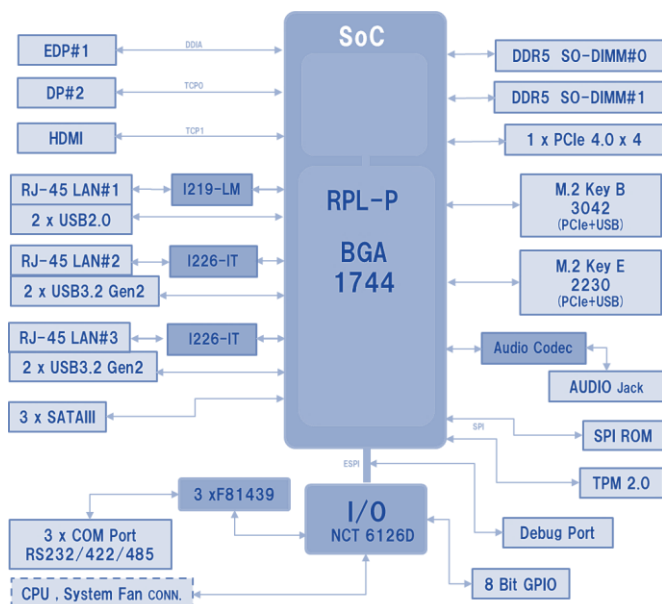
## SKU Selection Guide

### Processor SKU Selection Guide

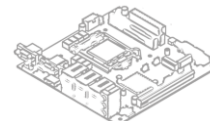
Model Name	GMB-IRPLP200	GMB-IRPLP300	GMB-IRPLP400
Processor No.	i3-1320PRE	i5-1350PRE	i7-1370PRE
Core (P+E)	8 (4+4)	12 (4+8)	14 (6+8)
Max Frequency	4.5 GHz	4.6 GHz	4.8 GHz
Graphics	Intel® UHD Graphics for 13th Gen Processors	Intel® Iris® Xe Graphics eligible	Intel® Iris® Xe Graphics eligible

## MECHANICAL DIMENSIONS

(TBD)



Motherboard



## Specifications

MODEL NAME	GMB-IRPLP200	GMB-IRPLP300	GMB-IRPLP400
PROCESSOR	Intel® Core™ i3-1320PRE	Intel® Core™ i5-1350PRE	Intel® Core™ i7-1370PRE
BIOS	AMI UEFI BIOS		
MEMORY	2 x DDR5-4800MHz SO-DIMM Up to 32GB		
GRAPHIC CONTROLLER	Intel® UHD Graphics for 13 <sup>th</sup> Gen Processors	Intel® Iris® Xe Graphics eligible	
DISPLAY INTERFACE	1×HDMI 1.4 · 1×DisplayPort 1.2 · 1×eDP		
AUDIO	Line out×1 · Line in×1 · MIC in×1 (φ3.5 Stereo Mini jack) Front Audio×1 (Pin header)		
STORAGE I/F	2 x SATA III (6.0Gb/s) Port		
ETHERNET	Triple Ethernet Port support : 2x 10/100/1000/2500 BASE-T(Intel®i226IT ) 1x 10/100/1000 BASE-T(Intel®i219LM )		
USB PORT	4 x USB 3.2 Gen2 (Rear I/O type-A) 2 x USB 2.0 (Rear I/O type-A)		
SERIAL PORT	3 x RS-232C/422/485 port by internal pin header (Baud rate: 50 - 115,200bps)		
EXPANSION INTERFACE	1 x PCI-Express Gen4 x4 slot 1 x M.2 key E Type 2230 (PCIe/ USB2.0 signal) 1 x M.2 Key B Type 3042/3052 (PCIe/ USB2.0 signal)		
GPIO	8-bit general purpose input output I/O		
WATCHDOG TIMER	Software programmable, 1 sec ~ 255 sec Time up Active by reset or shutdown		
HARDWARE MONITORING	CPU temperature and power voltage monitoring		
POWER MANAGEMENT	Power Supply : DC-In 9 to 36Vdc by ATX 4P connector ATX /AT Mode by jumper setting		
DIMENSION (W) x (H)	170mm x 170mm		
FAN CONNECTOR	1 x CPU FAN connector 4pin 1 x System FAN connector 4pin		
ENVIRONMENT (TBD)	With Industrial CPU : -40 to 50°C airflow 0.7m/s (CPU Power Limit 15W) -40 to 60°C without airflow (With FAN unit installed) With Embedded CPU : 0 to 50°C airflow 0.7m/s (CPU Power Limit 15W) 0 to 60°C without airflow (With FAN unit installed) Storage Temperature: -40 to 80°C Relative Humidity: 10% to 95%, non-condensing		
OS DRIVER SUPPORT	Windows®10 IoT Enterprise LTSC 2021 64 bit		
CERTIFICATE	CE / FCC / VCCI (Class B) / UKCA, RoHS2.0 (TBD)		