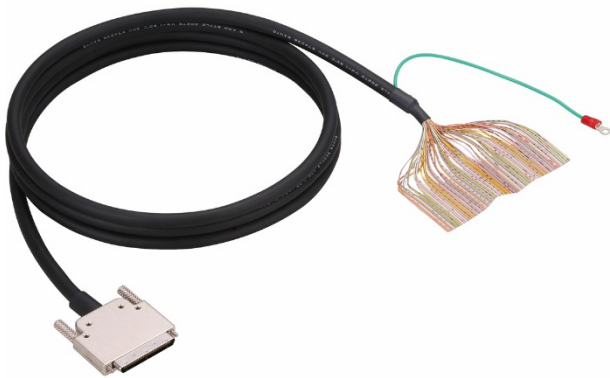


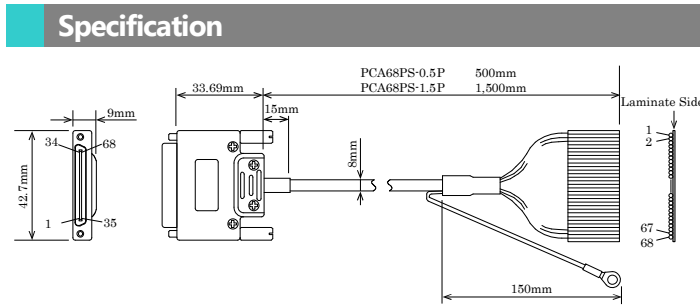
Shielded Cable with One 68-pin Connector  
PCA68PS-\*\*P



\* Specifications, color and design of the products are subject to change without notice.

Model	
Model	Cable
PCA68PS-0.5P	0.5m
PCA68PS-1.5P	1.5m

Specifications	
Item	Specification
Connector used	68-pin 0.8mm-pitch connector: HDRA-E68MA1 [HONDA] or equivalent Thumb screw: M2
Cable	50 core shield cable (25pair). Conductor size: AWG#30 Conductor composition: 7pcs/0.1mm UL20276
Round terminal	V1.25-3[JST] or equivalent
Specification of wire Terminals	It lamination-processes in 1.27mm pitch.
Weight	120g(PCA68PS-0.5P), 220g(PCA68PS-1.5P)
Line core color	Line core color depends on the product revision. Please refer to the connection diagram.

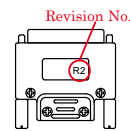


The PCA68PS-0.5P and PCA68PS-1.5P are cables for connecting a 68-pin connector on CONTEC board with other devices.

- \*The contents in this document are subject to change without notice.
- \*Visit the CONTEC website to check the latest details in the document.
- \*The information in the data sheets is as of May, 2019.

Connection Diagram

Line core color depends on the product revision.  
Revision No., please refer to the label of the connector.



Connector Pin No.	Revision No. line core color	Rxx	< Revision No. N/A >	Wire No.	Connector Pin No.	Revision No. line core color	Rxx	< Revision No. N/A >	Wire No.
			(marking No./color)					(marking No./color)	
1	Orange (1Red)		<Orange (1Red)>	1	18	White (4Red)		<White (4Red)>	18
35	Orange (1Black)		<Orange (1Black)>	35	52	White (4Black)		<White (4Black)>	52
2	Gray (1Red)		<Gray (1Red)>	2	19	Yellow (4Red)		<Yellow (4Red)>	19
36	Gray (1Black)		<Gray (1Black)>	36	53	Yellow (4Black)		<Yellow (4Black)>	53
3	White (1Red)		<White (1Red)>	3	20	Pink (4Red)		<Pink (4Red)>	20
37	White (1Black)		<White (1Black)>	37	54	Pink (4Black)		<Pink (4Black)>	54
4	Yellow (1Red)		<Yellow (1Red)>	4	21	Orange (5Red)		<Orange (5Red)>	21
38	Yellow (1Black)		<Yellow (1Black)>	38	55	Orange (5Black)		<Orange (5Black)>	55
5	Pink (1Red)		<Pink (1Red)>	5	22	Gray (5Red)		<Gray (5Red)>	22
39	Pink (1Black)		<Pink (1Black)>	39	56	Gray (5Black)		<Gray (5Black)>	56
6	Orange (2Red)		<Orange (2Red)>	6	23	White (5Red)		<White (5Red)>	23
40	Orange (2Black)		<Orange (2Black)>	40	57	White (5Black)		<White (5Black)>	57
7	Gray (2Red)		<Gray (2Red)>	7	24	Yellow (5Red)		<Yellow (5Red)>	24
41	Gray (2Black)		<Gray (2Black)>	41	58	Yellow (5Black)		<Yellow (5Black)>	58
8	White (2Red)		<White (2Red)>	8	25	Pink (5Red)		<Pink (5Red)>	25
42	White (2Black)		<White (2Black)>	42	59	Pink (5Black)		<Pink (5Black)>	59
9	Yellow (2Red)		<Yellow (2Red)>	9	26	Orange (6Red)		<Brown (1Black)>	26
43	Yellow (2Black)		<Yellow (2Black)>	43	60	Orange (6Black)		<Brown (1White)>	60
10	Pink (2Red)		<Pink (2Red)>	10	27	Gray (6Red)		<Red (1Black)>	27
44	Pink (2Black)		<Pink (2Black)>	44	61	Gray (6Black)		<Red (1White)>	61
11	Orange (3Red)		<Orange (3Red)>	11	28	White (6Red)		<Blue (1Black)>	28
45	Orange (3Black)		<Orange (3Black)>	45	62	White (6Black)		<Blue (1White)>	62
12	Gray (3Red)		<Gray (3Red)>	12	29	Yellow (6Red)		<Green (1Black)>	29
46	Gray (3Black)		<Gray (3Black)>	46	63	Yellow (6Black)		<Green (1White)>	63
13	White (3Red)		<White (3Red)>	13	30	Pink (6Red)		<Brown (2Black)>	30
47	White (3Black)		<White (3Black)>	47	64	Pink (6Black)		<Brown (2White)>	64
14	Yellow (3Red)		<Yellow (3Red)>	14	31	Orange (7Red)		<Red (2Black)>	31
48	Yellow (3Black)		<Yellow (3Black)>	48	65	Orange (7Black)		<Red (2White)>	65
15	Pink (3Red)		<Pink (3Red)>	15	32	Gray (7Red)		<Blue (2Black)>	32
49	Pink (3Black)		<Pink (3Black)>	49	66	Gray (7Black)		<Blue (2White)>	66
16	Orange (4Red)		<Orange (4Red)>	16	33	White (7Red)		<Green (2Black)>	33
50	Orange (4Black)		<Orange (4Black)>	50	67	White (7Black)		<Green (2White)>	67
17	Gray (4Red)		<Gray (4Red)>	17	34	Yellow (7Red)		<Brown (3Black)>	34
51	Gray (4Black)		<Gray (4Black)>	51	68	Yellow (7Black)		<Brown (3White)>	68

Shell ———— Shield ———— Round Terminal

Revision No. R2, R3:  
The marking No. shows the below signs.

No	signs
1	- - - -
2	- - - -
3	- - - -
4	- - - -
5	- - - -
6	- - - -
7	- - - -

Revision No. N/A:  
The marking No. shows the below signs.

No	signs
1	- - - -
2	- - - -
3	- - - -
4	- - - -
5	- - - -

Rxx · xx indicates the revision number