

PT-S959SDLXC

12.1 inch Touch Panel PC with Intel® Atom™ E3845

 CONTEC

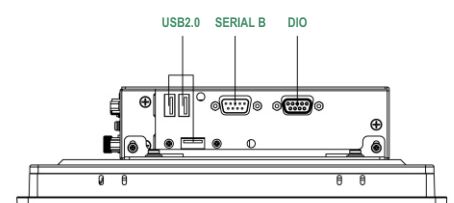
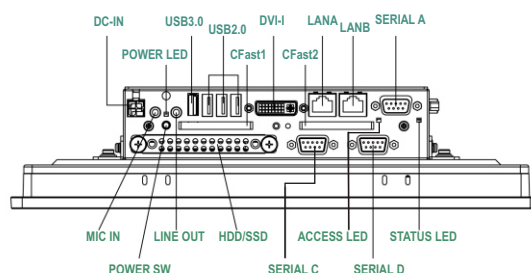


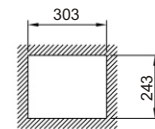
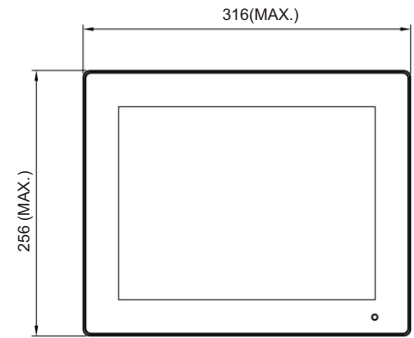
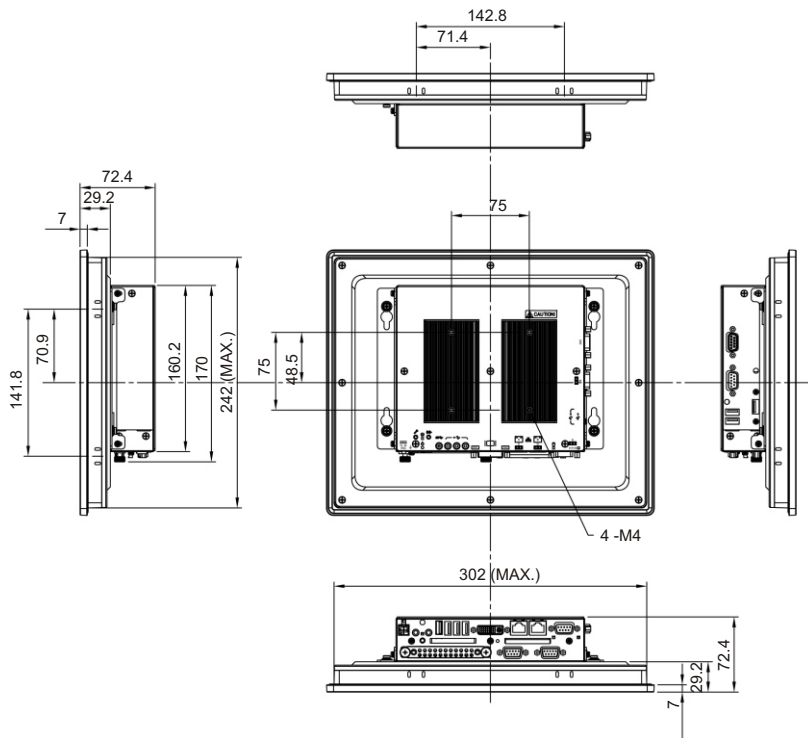
Features

- Intel® Baytrail SoC base platform
- Silent fanless design with thinner chassis
- IP65 front panel for waterproof & dustproof applications
- 12.1" LCD with long-life touch screen and LED backlight for power saving
- Support Projected Capacitive (PCAP) touch panel
- Dual LAN, 4x COM, 7x USB, 1x DIO and other rich expansion interface
- Easy replacement of the storage device 2.5-inch SATA drive bay
- Support 2x CFast at BIOS selectable

Optional Configuration

- 1x 2.5" HDD SATA or SSD SATA
- 1 or 2x CFast Card
- AC adapter 19V/65W
- OS Win 7 / Win 8.1 / Win10 (32/64-bit)





Panel's cutout ; 303mm X 243mm
User Panel's thickness ; t=7.0mm (max.)

Specifications

System	CPU	Intel® Atom™ E3845 1.91GHz Quad Core
	Chipset	Intel® Baytrail SoC
	BIOS	AMI SPI BIOS
	Memory	One 204-Pin SO-DIMM socket support DDR3L 1333 up to 8 GB/ECC
	Graphic	Intergrated Intel® HD Graphics Controller
	LAN Chipset	2x Intel® I210-IT GbE Controller
	Watchdog timer	255-level
Expansion	N/A	
Display	LCD panel	12.1", XGA(1024x768), 262k colors
	Backlight	LED ON/OFF by software control
	Luminance	600 cd/m ² (Typ.)
Touch panel	Touch type	Projected Capacitive (PCAP)
	Connection	Internal RS-232 connection
External I/O	Display Port	1 x DVI-I
	LAN	2 X RJ-45 ports for GbE
	Audio	1 x Line-out, 1 x Mic-in (Realtek ALC892 HD)
	Serial Port	3 x RS-232C, 1 x RS-232C/422/485
	DIO Port	Programmable 6-bit digital I/O
	USB Port	6 x USB2.0, 1 x USB3.0
Storage	Type	1 x 2.5" drive bay for SATA HDD/SSD (Standard) 2 x CFast (at BIOS selectable)
	DC INPUT	12~24VDC
Power supply	POWER ADAPTER	AC to DC, DC19V/ 3.4A, 65W adaptor
	Operating Temperature	0 ~ 40°C (w/ HDD) 0 ~ 50°C (w/ wide temperature HDD/SSD)
Environment	Storage Temperature	-10~60°C
	Storage Humidity	10% ~ 90% (Non-condensing)
	Dimension (WxDxH)	316 x 256 x 72.4 mm
Mechanical	Weight	3.77 kg
	Certification	CE & FCC & VCCI class A
	OS support	Windows® 7, Windows® 8.1, Windows®10 (32/64bit) English
Packing List	Packing List	1 x Panel PC 1 x Mounting bracket kits

Ordering Guide

● PT-S959SDLXC-DC7000	12.1" PCAP PANEL PC w/Atom E3845, 4GB DDR3L memory
● PT-S959SDLXC-DC8000	12.1" PCAP PANEL PC w/Atom E3845, 8GB DDR3L memory
● PT-S959SDLXCF2-DC7000	12.1" PCAP PANEL PC w/Atom E3845, 4GB DDR3L memory, support 2x CFast
● PT-S959SDLXCF2-DC8000	12.1" PCAP PANEL PC w/Atom E3845, 8GB DDR3L memory, support 2x CFast