

Industrial 8-port unmanaged Gigabit PoE Ethernet Switching HUB
SH-9008AT-POE



Features

PoE power supply function based on IEEE802.3af, IEEE802.3at
Power can be supplied to PoE devices that conform to IEEE802.3af, IEEE802.3at. Up to 30W per port and up to 120W* for all ports can be powered.

*There is a limit to supply the power depending on the power input voltages.

Eight of 1000BASE-T ports are equipped

The product has eight ports which conform to IEEE802.3ab(1000BASE-T) / IEEE802.3u(100BASE-TX)/ IEEE802.3(10BASE-T). Due to the fan-less design, this hub can be used in the places where the quietness or a longer lifetime of the product is desired. Furthermore, a metal housing with excellent heat dissipation enables the product to be operated in the temperature between -35 °C and +70 °C.

Capable of operating in a wide-ranged power inputs, and features dual power support

The product is capable of operating in a wide range of DC power between 12 and 57VDC. Moreover, dual power supports the product to continue to work even if one of the power supplies fails. Failures of the power supply can be seen with the LED on the front panel or the failure detection relay circuit.

DIN rail mounting or Wall installation

With the supplied brackets, the product can be set on a 35mm-DIN rail or on the wall.

Packing List

- Product...1
- Product Guide... 1
- Warranty Certificate...1
- DIN-Rail Mounting Bracket(attached to the product)...1
- Power Connector...1
- RJ45 Protection Cap...8
- Screw...8
- Wall Bracket...2

This product is an 8-port industrial switching HUB which conforms to IEEE802.3ab (1000BASE-T) /IEEE802.3u (100BASE-TX) /IEEE802.3 (10BASE-T) standard, and it is capable of PoE power supply based on IEEE802.3af, IEEE802.3at. By using a LAN cable of category 5 or greater, power can be supplied to PoE devices that conform to IEEE802.3af and IEEE802.3at.

The functions including jumbo frames, AutoMDI / MDI-X, and auto negotiations are within. Due to the fan-less design, this hub can be used in the places where the quietness or a longer lifetime of the product is desired. Furthermore, a metal housing with excellent heat dissipation enables the product to be operated in the temperature between -35°C and +70°C. The product can be set on 35mm-DIN rail or on the wall with the supplied brackets.

- * The contents in this document are subject to change without notice.
- * Specifications, color and design of the products are subject to change without notice.
- * Visit the CONTEC website to check the latest details.
- * The information in the data sheets is as of June 2020.

Specifications

Function Specifications

Item	Specifications
Ethernet standards	IEEE802.3/IEEE802.3u/IEEE802.3ab/IEEE802.3af/IEEE802.3at*1 -compliant
Data transfer rate	10Mbps/100Mbps/1000Mbps (auto-negotiation)
Communications method	All ports: Full/Half duplex (auto-negotiation)
Flow control	Full Duplex : IEEE802.3x compliant flow control Half Duplex : Back pressure
Number of effective ports	8
Switching method	Store and forward
Address table	4,096 entries
Jumbo frame	9Kbyte
Buffer capacity	192Kbyte
Aging time	300 seconds
LED indicator	POWER x 2 (Green), PWR Failure(Orange), LINK/ACT x 8 (Green/Orange), PoE x 8 (Green)
DIP switch	Power failure detection function switch for PWR-1 and PWR-2
Power supply voltage	12V - 57VDC±5%
FG pin	Power supply connector equipped with FG pin
Power consumption (Max)	When PoE is not in use: 12V 0.47A, 24V 0.24A, 57V 0.10A When PoE is in use: 12V 7.56A, 24V 7.22A, 57V 3.04A
Physical dimensions (mm)	41(W)×94.9(D)×144.3(H) (exclusive of protrusions)
Weight	700g
Module installation method	Mounting on DIN rail or on the wall

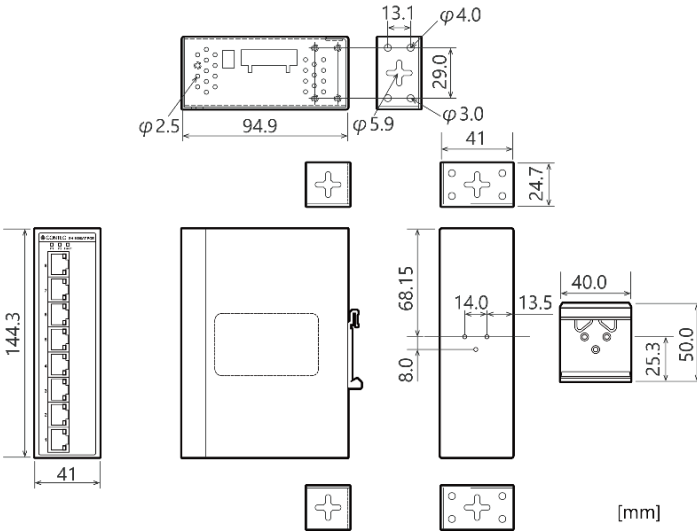
*1 When the supplied voltage is 24VDC-57VDC: The maximum power by PoE is 120W in total for all ports.
When the supplied voltage is less than 24VDC-57VDC: The maximum power by PoE is 60W in total for all ports.

Installation Environment Requirements

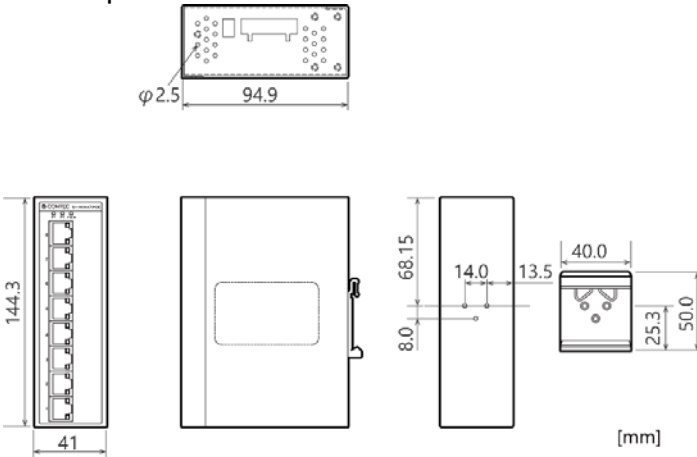
Item	Description	
Operating ambient temperature	-35 - +70°C	
Operating ambient humidity	5 - 95%RH (No condensation)	
Non-operating ambient temperature	-38 - +70°C	
Non-operating ambient humidity	5 - 95%RH (No condensation)	
Floating dust particles	Not to be excessive	
Corrosive gases	None	
Line-Noise resistance	Line-noise	AC line/2KV, Signal line/1KV (EN61000-4-4Level 3, IEC61000-4-4Level 3)
	Static electricity resistance	Contact discharge/4KV (EN61000-4-2Level 2, IEC61000-4-2Level 2) Atmospheric discharge/8KV (EN61000-4-2Level 3, IEC61000-4-2Level 3)
Vibration resistance	Sweep resistance	10 - 57Hz/semi-amplitude 0.075mm,57 - 150Hz/9.8M/s ² (1G), 40minutes each in X, Y, and Z directions (JIS C60068-2-6-compliant, IEC60068-2-6-compliant)
Impact resistance		10G, half-sine shock for 11ms in X, Y, and Z directions (JIS C60068-2-27-compliant, IEC60068-2-27-compliant)

Item	Description
Grounding	Class D grounding, SG - FG/ non-conductive
Standard	VCCI Class A, FCC Class A, CE Marking (EMC Directive Class A, RoHS Directive)

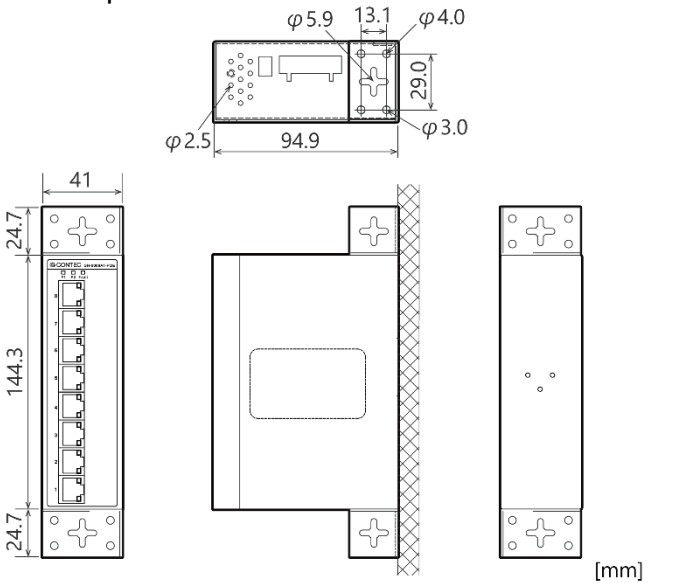
Physical Dimensions



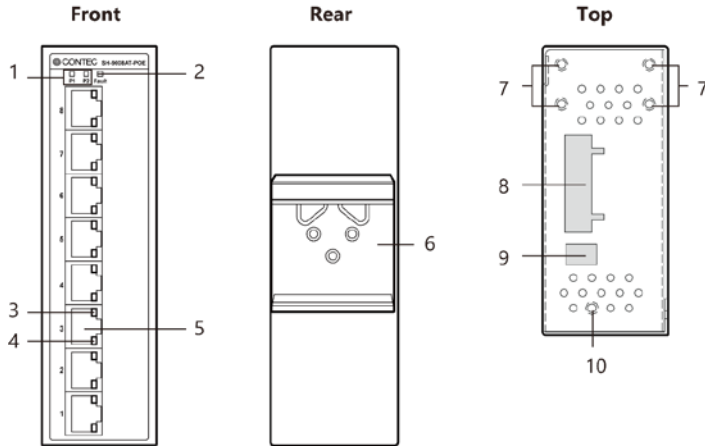
When the product is mounted on DIN rail



When the product is set on the wall



Ambient temperature derating



No.	Name	No.	Name
1	Power LED	6	Bracket Screw Holes for DIN-rail Installation
2	Power Failure Detection Relay LED	7	Bracket Screw Holes for Wall Installation (M3)
3	Link / Act LED	8	Power Supply Connector: PWR1, PWR2, Power Failure Detection Relay
4	PoE LED	9	Power Failure Detection DIP Switch
5	LAN Port	10	Screw Holes for Grounding Wire (M3)