

**FLEXLAN Series**  
**8 port 10/100M Unmanaged Industrial**  
**Switching HUB**  
**SH-8008F**



\* Specifications, color and design of the products are subject to change without notice.

**Features**

With its compact size, it corresponds to 100BASE-TX in eight all ports. This product contains eight ports for IEEE802.3u (100BASE-TX)/IEEE802.3(10BASE-T) in the compact size(40(W) x 60(D) x 90(H) mm).

**2-way power connector and reverse wiring protection within**  
 The product supports 2-way power supply. Even when one of the power systems fails during the operation, the product continues functioning. Our safety design supports the product to function even when wires are connected in reverse.

**Adaptable to a wide range of temperature between -20 and +60°C**  
 The product is capable of operating in the temperature between -20 and + 60°C. It can be installed in the various environments.

**For Auto MDI/MDI-X feature, auto-negotiation feature**  
 The Auto MDI/MDI-X feature automatically determines straight or crossover cable, avoiding wiring trouble due to wiring mistake. Moreover, auto-recognition function of communication rates (10/100Mbps) and communication methods (half/full duplex) by the auto-negotiation feature.

**Installation on DIN rail is possible**  
 As the product is mounted on the 35mm DIN rail, removing and replacing are easy as well.

**Compatible with 8 - 35VDC wide range power**  
 It is compatible with 8 - 35VDC wide range power and can be used in various power environment. In addition, An FG terminal is equipped in the power connector.

**Packing List**

- Unit...1
- Power Supply Connector ...2
- Setup Guide... 1
- Serial Number Label...1
- Warranty Certificate ...1

\* The manual of this product can be downloaded from CONTEC website free of charge (<https://www.contec.com/>).

**Optional product**

- Stack Type Controller**
- POA201-10-2
- AC adopter
- (Input: 90 - 264VAC, Output: 12VDC 1.0A)

\* Information about the option products, see the Contec's website.

This product is a compact-sized industrial switching HUB [40(W) x 60(D) x 90(H)mm] with 8 ports for IEEE802.3u(100BASE-TX) / IEEE802.3(10BASE-T) compliant.

In addition, the Auto MDI/MDI-X features automatic negotiation.

An ideal product for the place where quietness is required as it contains no fan. Moreover, with metal that is excellent in heat dissipation, the product can operate in the temperature between -20 and + 60°C. There are two supplies of power, and function that prevents power from connecting in reverse.

- \* The contents in this document are subject to change without notice.
- \* Visit the CONTEC website to check the latest details in the document.
- \* The information in the data sheets is as of December, 2021.

**Specifications**

**Function specifications**

Item	Specifications
Ethernet standards	IEEE802.3/IEEE802.3u-compliant
Data transfer rate	10Mbps/100Mbps (auto-negotiation)
Access method	CSMA/CD
Communications method	All ports: Full/Half duplex (auto-negotiation)
Topology	Star topology
Flow control	Full Duplex : IEEE802.3x compliant flow control Half Duplex :Back pressure
Number of effective ports	8
Switching method	Store and forward
Filtering speed	8,130pps (at 10Mbps) / 148,800pps (at 100Mbps)
Forwarding speed	8,130pps (at 10Mbps) / 148,800pps (at 100Mbps)
Address table	1,024 entries
Buffer capacity	448Kbits
Aging time	300sec (Max)
LED indicator	POWER(Green), LINK/ACT (Green), SPEED 10/100M (Orange)
Power supply voltage	8V - 35VDC±5%
Hybrid supply system *1	Enable
Reverse polarity protection	Enable
FG pin	Power supply connector equipped with FG pin
Power consumption (Max)	When inputting 12V : 0.12A, When inputting 24V : 0.06A
Physical dimensions (mm)	40(W) x 60(D) x 90(H) (exclusive of protrusions)
Material of the case	Metal shell
Weight	215g
Module installation method	Attachment of a 35mm DIN rail.

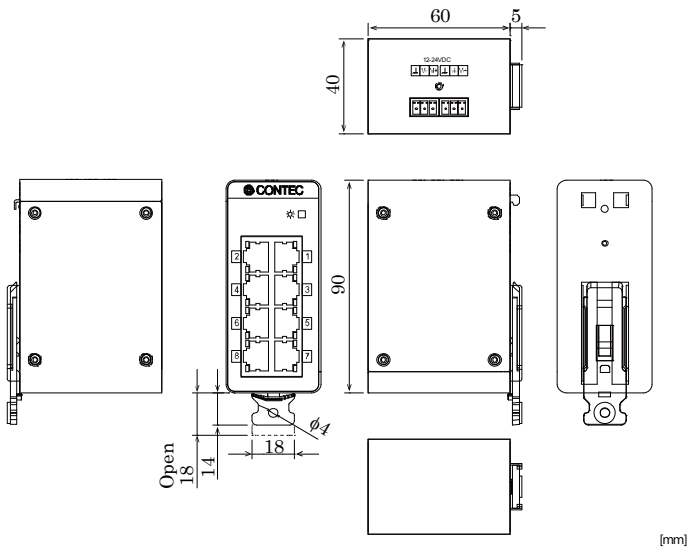
\*1 This product can operate with a single power supply. Also, you can add redundancy to the power supply by adding a second power supply input.

**Installation Environment Requirements**

Item	Specifications	
Operating temperature *2	-20 - 60°C	
Storage temperature	-20 - 60°C	
Humidity	10 - 90%RH(No condensation)	
Floating dust particles	Not to be excessive	
Corrosive gases	None	
Line-Noise resistance	Line-noise	AC line/2kV, Signal line/1kV (JIS C61000-4-4Level 3, EN61000-4-4Level 3)
	Static electricity	Contact discharge/4kV (JIS C61000-4-2Level 2, EN61000-4-2Level 2)
	resistance	Atmospheric discharge/8kV (JIS C61000-4-2Level 3, EN61000-4-2Level 3)
Vibration resistance	Sweep resistance	10 - 57Hz/semi-amplitude 0.15mm, 57 - 150Hz/2.0G 40minutes each in X, Y, and Z directions (JIS C60068-2-6-compliant, IEC60068-2-6-compliant)
	Impact resistance	15G, half-sine shock for 11ms in X, Y, and Z directions (JIS C60068-2-27-compliant, IEC60068-2-27-compliant)
Protection	IP20	
Grounding	Class D grounding (previous class 3 grounding)	
Standard	VCCI Class A, FCC Class A, UL, CE Marking (EMC Directive Class A, RoHS Directive), UKCA	

\*2 POA201-10-2 of the optional products is capable of operating in the temperature between 0 and +40°C.

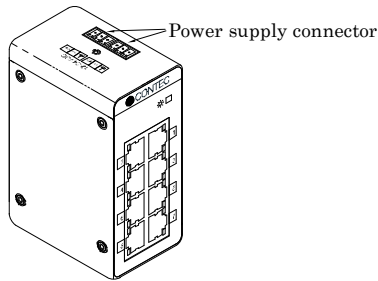
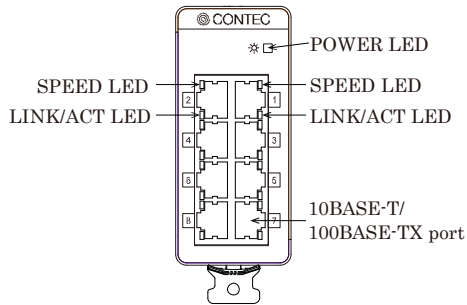
**Physical Dimensions**



**Differences from SH-8008(FIT)H**

	SH-8008(FIT)H	SH-8008F
Physical dimensions (mm)	52.4(W) x 64.7(D) x 94.0(H) (exclusive of protrusions)	40(W) x 60(D) x 90(H) (exclusive of protrusions)
Buffer capacity	512Kbyte	448Kbits
Power consumption (Max)	When inputting 5V : 0.54A When inputting 12V : 0.22A When inputting 24V : 0.15A	When inputting 8V : 0.18A When inputting 12V : 0.12A When inputting 24V : 0.06A

**Component Name**



**LED Indicators**

Name	Color	Content of Display
POWER LED	Green	ON : Power on OFF : Power off
SPEED LED	Yellow - green	ON : Indicates linking by 100Mbps OFF : Indicates linking by 10Mbps or not linked.
LINK/ACT LED	Green	ON : Linking Flashing : Indicates data sending/ receiving with connected external devices OFF : No Linking